



McAllister®

Under-Mount Kitchen Sink

11600

Features

- Under-mount
- No faucet holes to accommodate either wall-mount or countertop faucets
- 9-5/16"-deep single bowl
- 3-5/8" rear drain opening
- Stainless steel with a luster finish
- SilentShield technology
- 18-gauge stainless steel
- Lifetime limited warranty

Recommended Products/Accessories

7400 Sink Strainer
11867 Sink Rack

Included Components

Product consists of:
91915 Hardware Kit

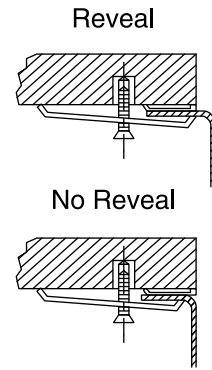
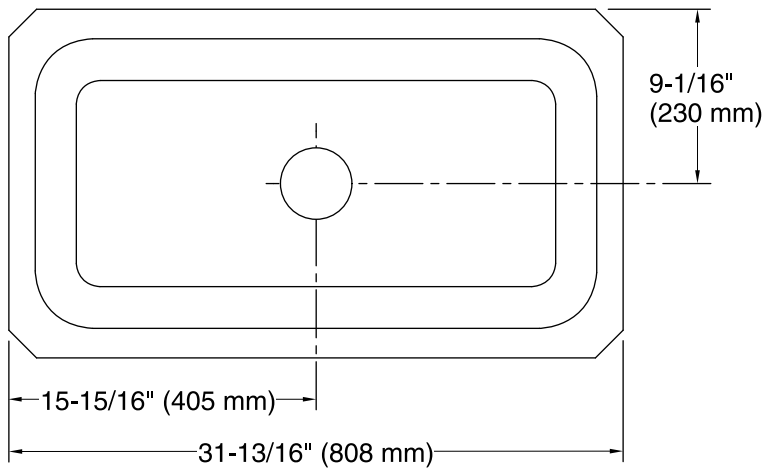


Codes/Standards

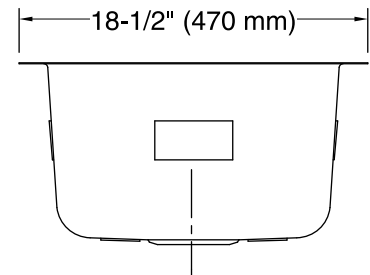
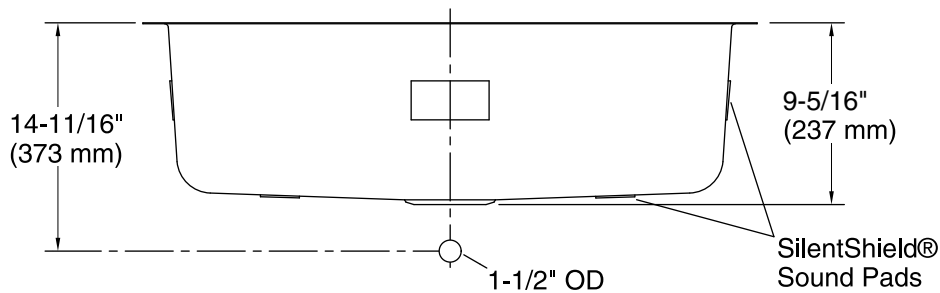
ASME A112.19.3/CSA B45.4

STERLING® Warranty - Stainless Steel Sinks

See website for detailed warranty information.



Mounting bracket assembly provides a secure installation.



Technical Information

All product dimensions are nominal.

Bowl configuration: Single

Installation: Under-mount

Min. base cabinet width: 36" (914 mm)

Bowl area (Only): Length: 29-1/2" (749 mm)
Width: 15-3/4" (400 mm)
Bowl depth: 9" (229 mm)
Water depth: 9" (229 mm)

Drain hole: 3-5/8" (92 mm)

Template: 1062109-7, required, included

Notes

Install this product according to the installation instructions.

Measure your actual product for roughing-in details.

Use the supplied cut-out template to select either a hidden or exposed rim.

Minimum base cabinet width: 33"-36" (33" cabinet may require cabinet modifications). Consult an installer for confirmation before proceeding.