



# Ludington®

## Under-Mount Kitchen Sink

### 20022

#### Features

- Under-mount
- No faucet holes to accommodate either wall-mount or countertop faucets
- 9-9/16"-deep single bowl
- 3-3/4" drain opening
- Stainless steel with satin finish
- SilentShield technology
- 18-gauge stainless steel
- Lifetime limited warranty

#### Recommended Products/Accessories

7400 Sink Strainer  
20285 Sink Basin Mat

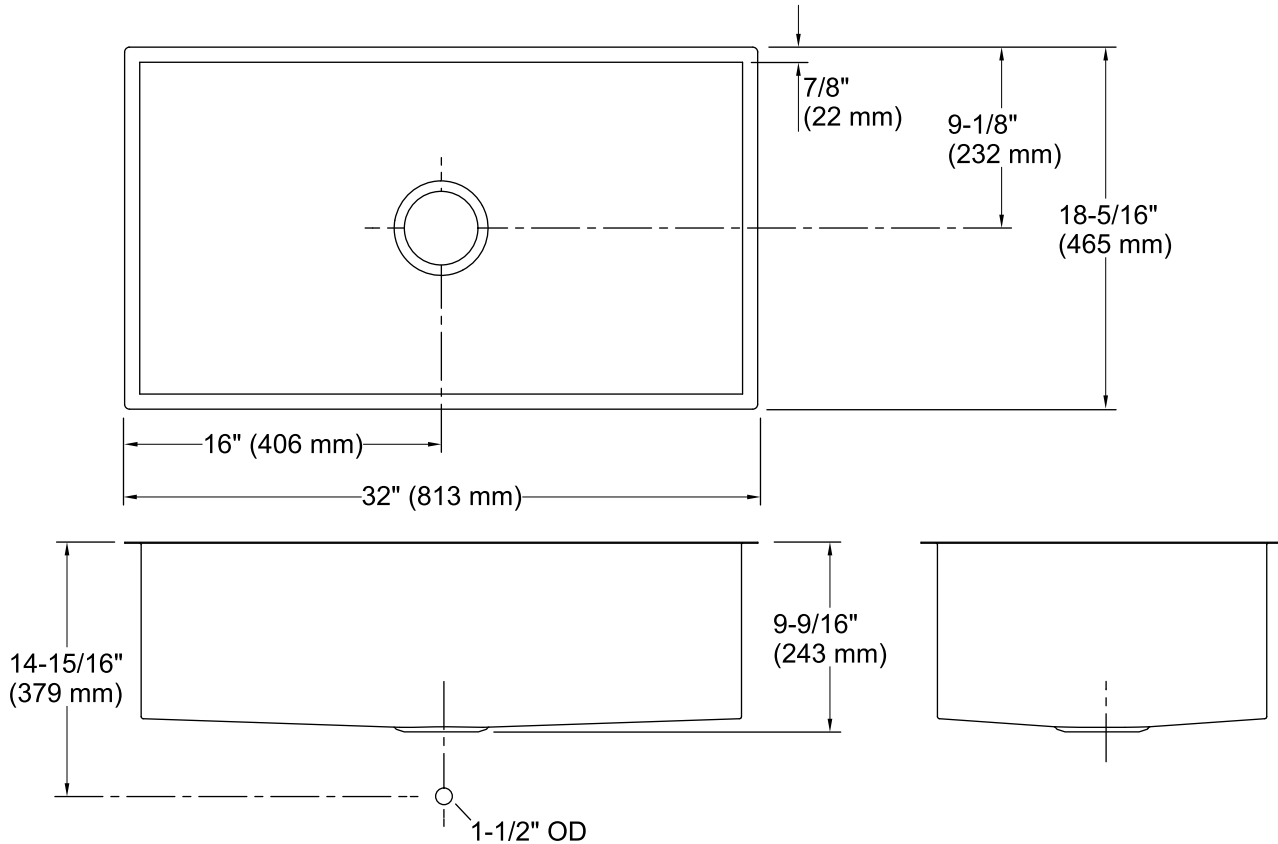


#### Codes/Standards

ASME A112.19.3/CSA B45.4

#### STERLING® Warranty - Stainless Steel Sinks

See website for detailed warranty information.



**Technical Information**

All product dimensions are nominal.

Installation:	Under-mount
Min. base cabinet width:	36" (914 mm)
Bowl area (Only):	Length: 30-1/4" (768 mm)
	Width: 16-9/16" (420 mm)
	Bowl depth: 9-5/16" (237 mm)
	Water depth: 9-5/16" (237 mm)
Drain hole:	3-3/4" (94 mm)
Template:	1298947-7, required, included

**Notes**

Install this product according to the installation instructions.

Countertop manufacturer or cutter must use the cut-out template provided with the product, or a current one provided by Kohler Co. (call 1-800-43-FOCUS). Kohler Co. is not responsible for cut-out errors when the incorrect cut-out template is used.